

FRAME POOL SETUP INSTRUCTION SHEET

SITE PREPARATION

WARNING - VERY IMPORTANT!

- Site must be level. **FAILURE TO DO SO MAY CAUSE POOL COLLAPSE.**
- The pool must be assembled on a smooth and level site of firm soil that is free of stones, gravel, sticks, black-top or other oil base compounds. Do not install pool on a wooden deck or any type of wooden surface.
- **FAILURE TO FOLLOW THE INSTRUCTIONS BELOW WILL CAUSE POOL TO COLLAPSE AND WILL VOID THE WARRANTY!**

1. Select a level area, and completely remove all debris, twigs, stones, etc. **DO NOT** select an area under overhead electrical lines, trees or within 15 feet of a house, building, etc. The area should also be at least 10 feet away, and no more than 21 feet away, from a 110 volt AC outlet, protected by a Ground Fault Circuit Interrupter.
2. Contact your local utilities, checking that no underground cables, telephone lines, gas lines, etc. run beneath the area you have selected.

POOL INSTALLATION

TIP: It will be much easier to install your pool if you unfold it and let it lay in direct sunlight for about 2 hours prior to installation. This will help to insure a wrinkle-free fit because the pool material will be more pliable allowing it to form into shape during installation.

1. Carefully unfold the Frame Pool and inspect the seams prior to setup. Lay the pool out flat on the ground, positioning the power filter mounting area of the pool wall so that it is 10 to 21 feet from the electrical outlet you plan to use for the pool pump. You should have at least three people to assist with the assembly of this pool.

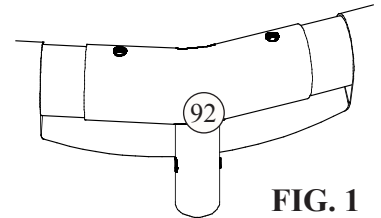


FIG. 1

2. Locate the metal pipe and Tee Fittings for the frame section of the pool. The shorter pipe sections with the larger diameter and the pair of holes at both ends are the Horizontal Beams (91). The longer pipe sections with the smaller diameter and the Spring Pin (96) at one end are the Vertical Legs (94). Take the Horizontal Beams (91) and insert them into the pockets stitched along the top edge of the pool wall. Rotate it in the pocket so that the holes are on the top and bottom of the pipe protruding from each end of the pockets. Take one end of the pipe and insert it into a Tee Fitting aligning the holes with the holes in the Horizontal Beam. Do NOT install any of the Pins (93) at this time. Continue around the pool in either direction installing all of the Tee Fittings onto the Horizontal Beams. See **Fig 1.**

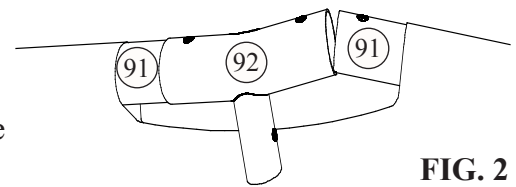


FIG. 2

3. When you get to the last connection, install the last Tee Fitting on the end of one of the beams. Lift up on both of the last two Beams in order to get them to insert into the Tee Fitting. Angle them towards each other and guide the Beam into the Fitting as you lower them both down together. See **Fig. 2.** This step may require two people. Now, begin inserting the Pins (93) down through the top of the Tee Fittings until the Pin snaps into place on the lower side of the Fitting as shown in **Fig. 3.**

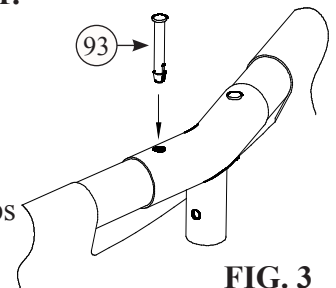


FIG. 3

4. Once the top frame is assembled, locate the Vertical Legs (94). The Vertical Leg sections will have a Spring Pin (95) pre-installed at the top end. First, insert the leg down through the belt that runs around the middle of the pool, see **Fig. 4**. Now, to connect them into the top frame, push the buttons in as you insert the Leg up into the Tee Fitting. Look through the hole in the Fitting as you insert and rotate the pipe until the buttons align with the holes and pop out, locking the leg in place. Finally, take one of the Leg Caps (96) and insert the bottom of the Vertical Leg into it until it stops.
 5. Go around and check all of the Fittings, Legs, and Beams for proper fit, making sure that all the Pins have been securely fastened in all of the holes. Grab the Vertical Legs at the bottom and gently pull them out making sure that they remain vertical and perpendicular to the top ring.
 6. Make sure the drain fitting is plugged securely and the cap is in place. Start filling the pool with water. After about 1-inch of water is on the bottom, stop filling and smooth wrinkles out of the bottom of the pool.
 7. NOTE: IF MORE THAN 1-2 INCHES OF WATER COLLECTS ON ANY ONE SIDE BEFORE THE POOL STARTS FILLING IN THE CENTER, THE POOL IS NOT LEVEL ENOUGH, AND MUST BE CORRECTED, SEE "SITE PREPARATION", PAGE 1. NOTE: THE WEIGHT OF THE WATER WILL PREVENT ANY ADJUSTMENT AFTER THIS POINT.
 8. Continue to check the Vertical Legs and pull them out at the bottom if necessary, making sure they remain vertical and perpendicular to the top ring.
9. Following the instructions under "Power Filter Installation" in the "Swimming Pool Filter System" owner's manual, begin installing your power filter unit according to it's manual.
10. Make sure the drain fitting is plugged securely and the cap is in place.

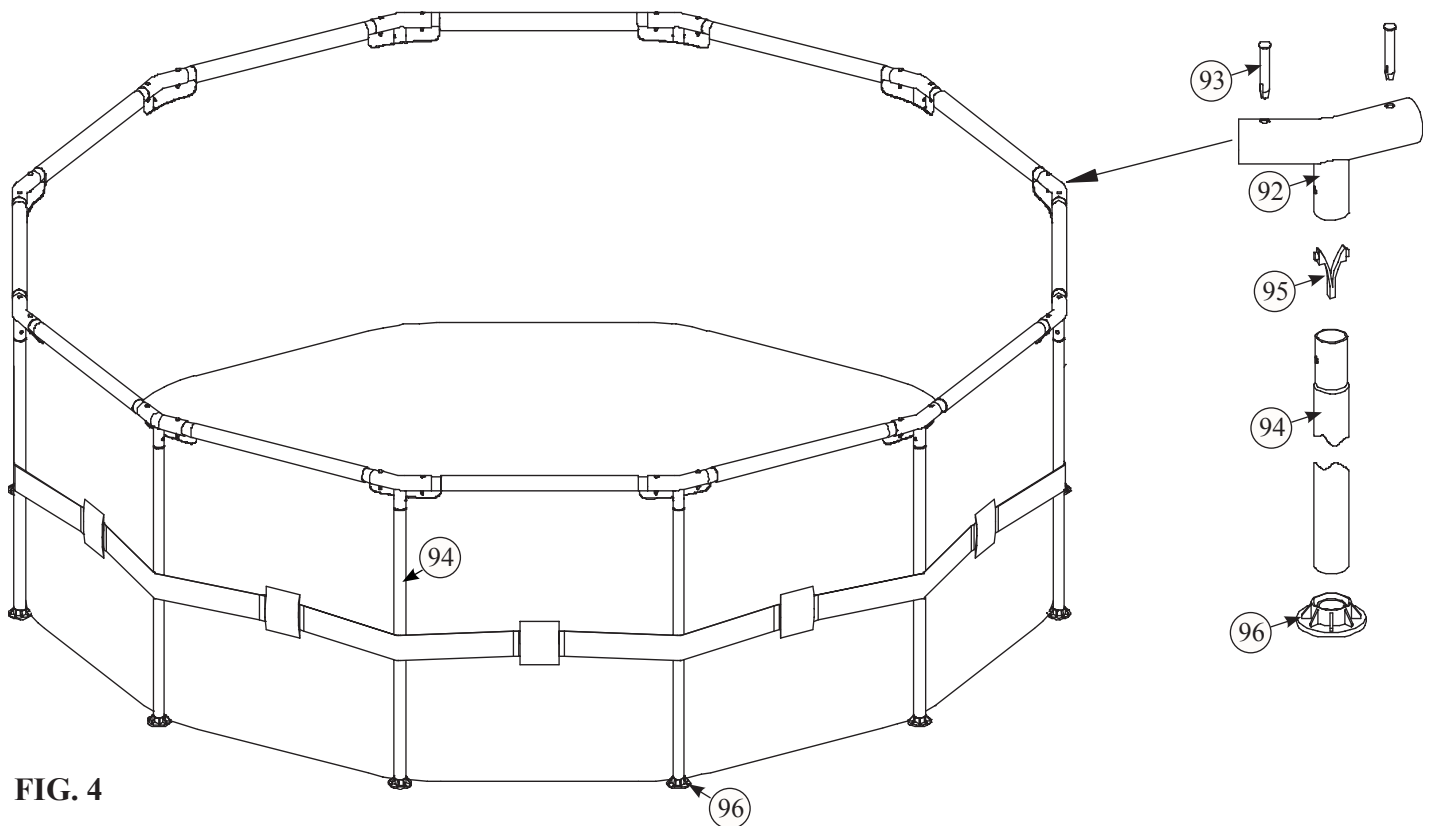


FIG. 4

ROUND FRAME POOL		CALL PARTS DEPT. FOR REPLACEMENT PARTS or see ORDER SHEET in the back of POOL PUMP MANUAL for ordering instruction and shipping information											
		(91) HORIZONTAL BEAM				(94) VERTICAL LEG				(92) T-FITTING			
POOL MODEL	POOL SIZE	PART NO.	QTY	WGT (lbs)	COST EA.	PART NO.	QTY	WGT. (lbs)	COST EA.	PART NO.	QTY	WGT. (lbs)	COST EA.
P20-0827	8' x 27"	090-380015	8	1-1/2	3.00	090-380019	8	1-1/4	3.00	090-380030	8	1/2	3.00
P20-1030	10' x 30"	090-380015	10	1-1/2	3.00	090-380020	10	1-1/4	3.00	090-380031	10	1/2	3.00
P20-1230	12' x 30"	090-380015	12	1-1/2	3.00	090-380020	12	1-1/4	3.00	090-380032	12	1/2	3.00
P20-1236	12' x 36"	090-380015	12	1-1/2	3.00	090-380021	12	1-1/4	4.00	090-380032	12	1/2	3.00
P20-1336	13' x 36"	090-380015	13	1-1/2	4.00	090-380021	13	1-1/4	4.00	090-380034	13	1/2	3.00
P20-1442	14' x 42"	090-380006	14	1-1/2	4.00	090-380005	14	1-1/4	5.00	090-380024	14	1/2	3.00
P20-1536	15' x 36"	090-380006	15	1-1/2	5.00	090-380022	15	1-1/4	5.00	090-380033	15	1/2	3.00
P20-1542	15' x 42"	090-380006	15	1-1/2	5.00	090-380005	15	1-1/4	5.00	090-380033	15	1/2	3.00
P20-1548	15' x 48"	090-380006	15	1-1/2	5.00	090-380012	15	1-1/4	6.00	090-380033	15	1/2	3.00
P20-1642	16' x 42"	090-380006	16	1-1/2	5.00	090-380005	16	1-1/4	5.00	090-380055	16	1/2	3.00
P20-1648	16' x 48"	090-380006	16	1-1/2	5.00	090-380012	16	1-1/4	6.00	090-380055	16	1/2	3.00
P20-1842	18' x 42"	090-380006	18	1-1/2	5.00	090-380005	18	1-1/4	5.00	090-380056	18	1/2	3.00
P20-1848	18' x 48"	090-380006	18	1-1/2	5.00	090-380012	18	1-1/4	6.00	090-380056	18	1/2	3.00
P20-1852	18' x 52"	090-380006	18	1-1/2	5.00	090-380075	18	1-1/4	6.00	090-380056	18	1/2	3.00
P20-1952	19' x 52"	090-380006	19	1-12	5.00	090-380075	19	1-1/4	6.00	090-380076	19	1/2	3.00
P20-2048	20' x 48"	090-380006	20	1-1/2	6.00	090-380012	20	1-1/4	6.00	090-380057	20	1/2	3.00
P20-2448	24' x 48"	090-380006	24	1-1/2	6.00	090-380012	24	1-1/4	6.00	090-380025	24	1/2	3.00

		(96) LEG CAP				(93) PIN (w/2 extra)				(95) V-SHAPE SPRING PIN (w/ 1 extra)			
POOL MODEL	POOL SIZE	PART NO.	QTY	WGT (lbs)	COST EA.	PART NO.	QTY	WGT. (lbs)	COST EA.	PART NO.	QTY	WGT. (lbs)	COST EA.
P20-0827	8' x 27"	097-080008	8	1/4	0.50	097-080010	18	1/4	0.25	097-080004	9	1/4	0.25
P20-1030	10' x 30"	097-080008	10	1/4	0.50	097-080010	22	1/4	0.25	097-080004	11	1/4	0.25
P20-1230	12' x 30"	097-080008	12	1/4	0.50	097-080010	26	1/4	0.25	097-080004	13	1/4	0.25
P20-1236	12' x 36"	097-080008	12	1/4	0.50	097-080010	26	1/4	0.25	097-080004	13	1/4	0.25
P20-1336	13' x 36"	097-080008	13	1/4	0.50	097-080010	28	1/4	.025	097-080004	14	1/4	0.25
P20-1442	14' x 42"	097-080002	14	1/4	0.50	097-080003	30	1/4	0.25	097-080004	15	1/4	0.25
P20-1536	15' x 36"	097-080002	15	1/4	0.50	097-080003	32	1/4	0.25	097-080004	16	1/4	0.25
P20-1542	15' x 42"	097-080002	15	1/4	0.50	097-080003	32	1/4	0.25	097-080004	16	1/4	0.25
P20-1548	15' x 48"	097-080002	15	1/4	0.50	097-080003	32	1/4	0.25	097-080004	16	1/4	0.25
P20-1642	16' x 42"	097-080002	16	1/4	0.50	097-080003	34	1/4	0.25	097-080004	17	1/4	0.25
P20-1648	16' x 48"	097-080002	16	1/4	0.50	097-080003	34	1/4	0.25	097-080004	17	1/4	0.25
P20-1842	18' x 42"	097-080002	18	1/4	0.50	097-080003	38	1/4	0.25	097-080004	19	1/4	0.25
P20-1848	18' x 48"	097-080002	18	1/4	0.50	097-080003	38	1/4	0.25	097-080004	19	1/4	0.25
P20-1852	18' x 52"	097-080002	18	1/4	0.50	097-080003	38	1/4	0.25	097-080004	19	1/4	0.25
P20-1952	19' x 52"	097-080002	19	1/4	0.50	097-080003	40	1/4	0.25	097-080004	20	1/4	0.25
P20-2048	20' x 48"	097-080002	20	1/4	0.50	097-080003	42	1/4	0.25	097-080004	21	1/4	0.25
P20-2448	24' x 48"	097-080002	24	1/4	0.50	097-080003	50	1/4	0.25	097-080004	25	1/4	0.25