

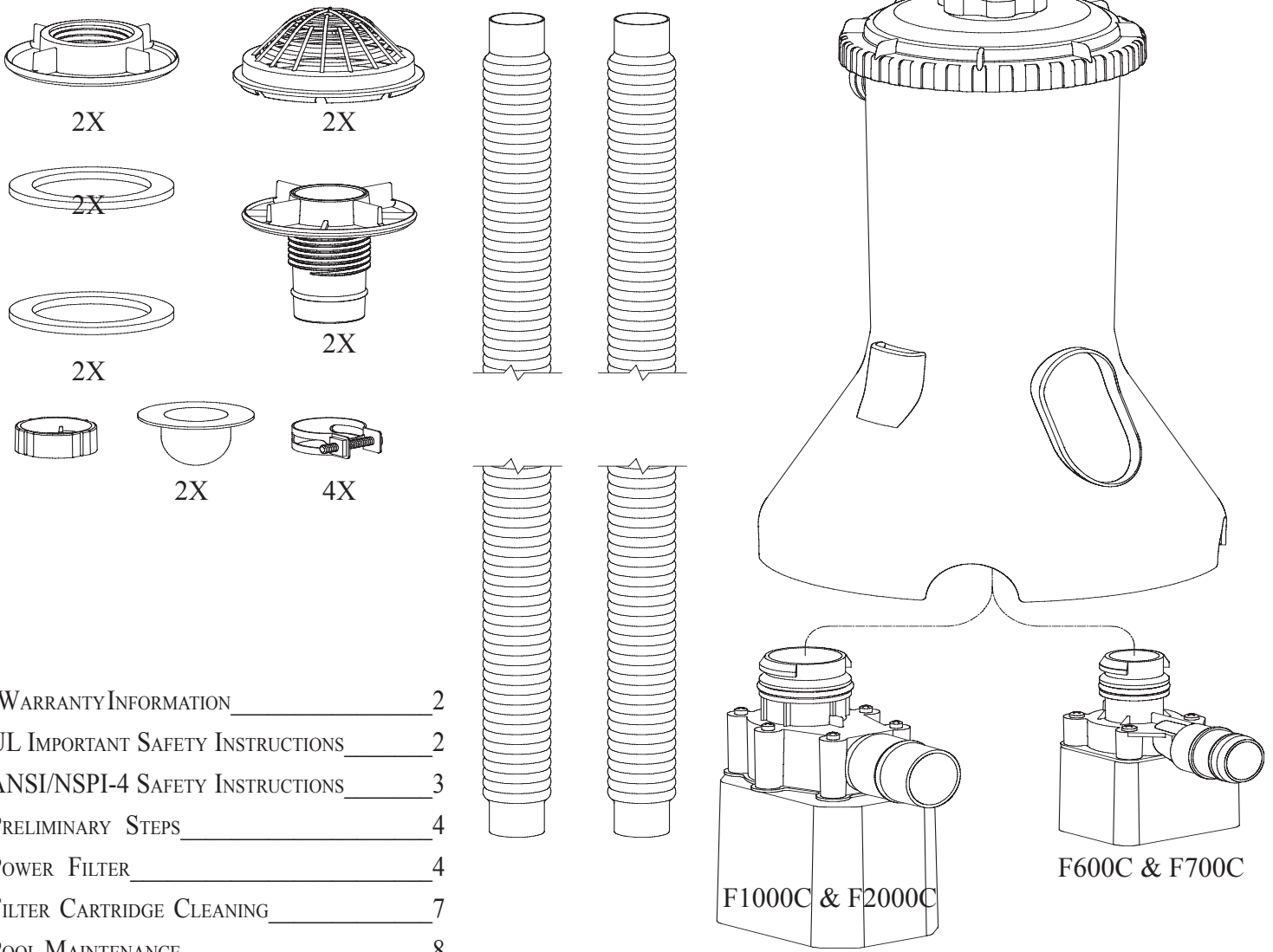
# DISTRIBUTED BY: GP LIMITED

8/F, Enterprise Square 3, 39 Wang Chiu Road, Kowloon Bay, Hong Kong

Customer Service Representative: General Foam Plastics Corporation

(800) 813-0206 • www.GENFOAM.com

## RP TYPE SWIMMING POOL FILTER SYSTEM OWNERS MANUAL FOR ABOVE GROUND QUICK SET® SWIMMING POOLS



WARRANTY INFORMATION	2
UL IMPORTANT SAFETY INSTRUCTIONS	2
ANSI/NSPI-4 SAFETY INSTRUCTIONS	3
PRELIMINARY STEPS	4
POWER FILTER	4
FILTER CARTRIDGE CLEANING	7
POOL MAINTENANCE	8
POOL WATER CARE	9
TROUBLESHOOTING GUIDE	11
DISASSEMBLY AND STORAGE	11
PARTS & ACCESSORIES	12
ORDER FORM	13
POOL SAFETY	14

**WARNING:** DO NOT overfill the pool and / or allow people to lay over or push down on the inflated ring - DOING SO WILL CAUSE THE POOL WALL TO COLLAPSE!

**DRAIN** pool to the proper level after a heavy rain.

**NOTE:** DO NOT attempt to assemble this pool when the temperature is below 60°F.

**NOTE:** This is a storable pool, which should be disassembled and stored when temperatures are expected to fall below 40°F.

**CAUTION:** READ ALL INSTRUCTIONS CAREFULLY BEFORE INSTALLING POOL

\*\*\* 180 DAY LIMITED WARRANTY \*\*\*

2008

**STATEMENT OF LIMITED WARRANTY FOR GP LIMITED POOLS**  
**ATTENTION CUSTOMER**

Please thoroughly read and familiarize yourself with the GP Limited's limited Warranty Statement. The Statement will dictate the service provided to you. Proof of purchase is absolutely required as proof of the length of time you have owned your pool.

GP Limited warrants to the original purchaser only, the Quick Set® Pool and Power Filter against defects in material and workmanship, as follows:

- 1) GP Limited warrants to the original purchaser, the Quick Set® Pool and Power Filter against defects in material and workmanship for 180-days from the date of purchase. Original Purchaser must retain proof of such purchase in the form of a store sales receipt and must produce such upon request by GP Limited or its customer service representative, General Foam Plastics Corporation at (800) 813-0206.
- 2) You should first consult the Trouble Shooting guide for a simple solution, page #11. If still unable to correct the situation, please contact customer service representative General Foam Plastic's customer service at (800) 813-0206. Do not return your pool or parts to the place of purchase. A knowledgeable customer service representative will assist you in resolving the problem and arrange replacement of defective parts, if needed.

If the unit is found to have been consumer damaged or abused, it is not covered by the limited warranty. If this is the case, you will be advised of the cost of replacement part(s), or the need to return damaged part(s) for warranty replacement.

This limited warranty is not valid if pool is used for commercial purposes or if the damage is caused by accident, act of God, consumer neglect or abuse, failure to properly follow disassembly and storage procedures, vandalism or improper use of chemicals. This limited warranty will also be voided if pool is not properly installed per instructions. This warranty does not hold GP Limited responsible for cost of installation, labor or transportation related to replacement of defective parts.



## IMPORTANT SAFETY INSTRUCTIONS

When installing and using this electrical equipment, basic safety precautions should always be followed, including the following:

1. **READ AND FOLLOW ALL INSTRUCTIONS**
2. **WARNING** - To reduce the risk of injury, do not permit children to use this product unless they are closely supervised at all times by an adult who is capable of assisting a child in distress.
3. **WARNING** - Risk of electrical shock. Connect only to a grounded receptacle protected by a ground-fault circuit-interrupter (GFCI). A GFCI must be provided in accordance with Section 680-31 of the National Electrical Code. Contact a qualified electrician if you cannot verify that the receptacle is protected by GFCI.
4. **WARNING** - To reduce the risk of electrical shock, replace damaged cord (with pump body) immediately. NEVER bury cord. Locate cord to eliminate abuse or contact from lawn mowers, hedge trimmers, and other equipment. NEVER use an extension cord to connect unit to electric supply; provide a properly located outlet.
5. **CAUTION** - The power filter is for use with storable pools only. DO NOT use with permanently installed pools. A storable pool is constructed so that it may be readily disassembled for storage and reassembled to its original integrity. A permanently installed pool is constructed in or on the ground or in a building so that it cannot be readily disassembled for storage.
6. **CAUTION** - For continued protection against possible electric shock, use only original equipment manufactured (OEM) parts for your replacement requirements.
7. **SAVE THESE INSTRUCTIONS.**

# ANSI/NSPI-4 STANDARD SAFETY INSTRUCTIONS

## WARNING

1. Very Important: Swimming pool barriers, which restrict access to the pool by small children, may be required by law. A barrier is necessary to provide protection against potential drowning and near drowning. Barriers are not a substitute for constant supervision of children.
2. The use of artificial pool lighting is at the discretion of the pool owner. Lighting, when installed, should be in accordance with Article 680 of the National Electrical Code (NEC) or its latest approved edition and in consultation with a licensed electrical professional.
3. During nighttime pool use, artificial lighting shall be used to illuminate all safety signs, ladders, steps, deck surfaces and walks.
4. The floor of the pool shall be visible at all times from the outside perimeter of the pool.
5. Local building codes may require obtaining a building or electrical permit. Installer shall follow regulations on setback, barriers, devices and other conditions.
6. Post a list of emergency telephone numbers such as the nearest available police, fire, ambulance and/or rescue unit. These numbers are to be kept near the telephone, which is closest to the pool.
7. Toys, chairs, tables or similar objects that a young child could climb shall be at least four feet (4') [121.92 cm] from the pool. The pump filter system shall be positioned so as to prevent their being used as a means of access to the pool by young children.
8. Basic lifesaving equipment, including one of the following should be on hand at all times:
  - \* A light, strong, rigid pole (shepherds crook) not less than twelve feet (12') [365.76 cm] long.
  - \* A minimum one-fourth inch (1/4") [6.35 mm] diameter rope as long as one and one half (1-1/2) times the maximum width of the pool or fifty feet (50') [15.24 meters], whichever is less, which has been firmly attached to a Coast Guard-approved ring buoy having an outside diameter of approximately fifteen inches (15") [38.1 cm], or similarly approved flotation device.
9. **Entrapment Avoidance:** There shall be no protrusions or other obstruction in the swimming area, which may cause entrapment or entanglement of the user.
10. The pool is subject to wear and deterioration. If not maintained properly, certain types of excessive or accelerated deterioration can lead to failure of the pool structure that might release large quantities of water that could cause bodily harm and property damage.
11. Above ground / onground residential swimming pools are for swimming and wading only. No diving boards, slides or other equipment are to be added to an above ground / onground pool that in any way indicates that an above ground / onground pool may be used or intended for diving or sliding purposes.
12. Never allow horseplay, diving or jumping into or around the pool. Serious injury, paralysis or death, could result when this rule is disregarded. **DO NOT ALLOW** anyone to swim alone without supervision.
13. Safety signs shall comply with requirements of ANSI-Z535 and to use signal wording.

## CAUTION - ASTM SAFETY INSTRUCTIONS

1. The pool is to be assembled by an adult.
2. Care should be taken in the unpacking and assembly of the pool
3. The pool may contain accessible potentially hazardous sharp edges or sharp points that are a necessary part of the function of the pool.

## CONSUMER AWARENESS BOOKLETS

Contact: ASSOCIATION OF POOL & SPA PROFESSIONALS ( formerly NSPI) at - Phone: (703) 838-0083 or Fax: (703) 549-0493.

These titles are now available: "The Sensible Way To Enjoy Your Aboveground / Inground Swimming Pool", "Children Aren't Waterproof", "Pool and Spa Emergency Procedures For Infants", Layers of Protection", and the "ANSI / NSPI-8 Model Barrier Code for Residential Swimming Pools, Spas, and Hot Tubs".

**4 NOTICE: CUSTOMERS THAT PURCHASE POOLS MAY BE REQUIRED BY LOCAL OR STATE LAW TO INCUR ADDITIONAL EXPENSES WHEN INSTALLING A POOL, IN ORDER TO COMPLY WITH STATE OR LOCAL LAWS REGARDING FENCING AND OTHER SAFETY REQUIREMENTS. CUSTOMERS SHOULD CONTACT THEIR LOCAL BUILDING CODE ENFORCEMENT OFFICE FOR FURTHER DETAILS.**

## PRELIMINARY STEPS

1. **READ ALL INSTRUCTIONS CAREFULLY** and get a thorough understanding of what is required to assemble your GFP Quick Set® pool.
2. Before you begin to assemble the pool, identify, count, and check all parts needed for assembly. Refer to the “PARTS LIST AND ACCESSORIES”, Page #12, under the quantity needed column for your size pool.
3. In addition to the parts provided with your pool, one **SCREW DRIVER** is required for assembly.
4. It is recommended that you have some **PETROLEUM JELLY** on hand for lubricating the gaskets.

Ring Pools: Pool water requirements at approximately 80% of wall height for ring pools.

8' x 27" = Approx. 540 gals.	13' x 39" = Approx. 2,080 gals.	16' x 36" = Approx. 3,204 gals.
8' x 30" = Approx. 650 gals.	14' x 30" = Approx. 1,942 gals.	16' x 42" = Approx. 3,697 gals.
9' x 26" = Approx. 721 gals.	14' x 36" = Approx. 2,406 gals.	16' x 44" = Approx. 3,943 gals.
10' x 30" = Approx. 1,000 gals.	14' x 42" = Approx. 2,700 gals.	18' x 42" = Approx. 4,867 gals.
12' x 30" = Approx. 1,400 gals.	15' x 30" = Approx. 2,161 gals.	18' x 48" = Approx. 5,622 gals.
12' x 36" = Approx. 1,782 gals.	15' x 36" = Approx. 2,575 gals.	24' x 42" = Approx. 7,273 gals.
13' x 33" = Approx. 1,800 gals.	15' x 42" = Approx. 3,374 gals.	24' x 48" = Approx. 8,987 gals.
13' x 36" = Approx. 1,940 gals.	15' x 48" = Approx. 4,173 gals.	

Oval Ring Pools:

15' x 09' x 42" = Approx. 2,268 gals.	20' x 10' x 42" = Approx. 3,500 gals.	20' x 12' x 42" = Approx. 4,095 gals.
20' x 14' x 42" = Approx. 4,500 gals.	20' x 15' x 42" = Approx. 4,900 gals.	24' x 15' x 42" = Approx. 6,048 gals.
20' x 12' x 48" = Approx. 4,608 gals.		

Rectangular Frame Pools:

8' x 14' x 36" = Approx. 2,304 gals.	12' x 24' x 52" = Approx. 8,797 gals.
9' x 18' x 52" = Approx. 4,948 gals.	12' x 30' x 48" = Approx. 10,099 gals.
10' x 18' x 45" = Approx. 4,713 gals.	23' x 24' x 52" = Approx. 16,861 gals.

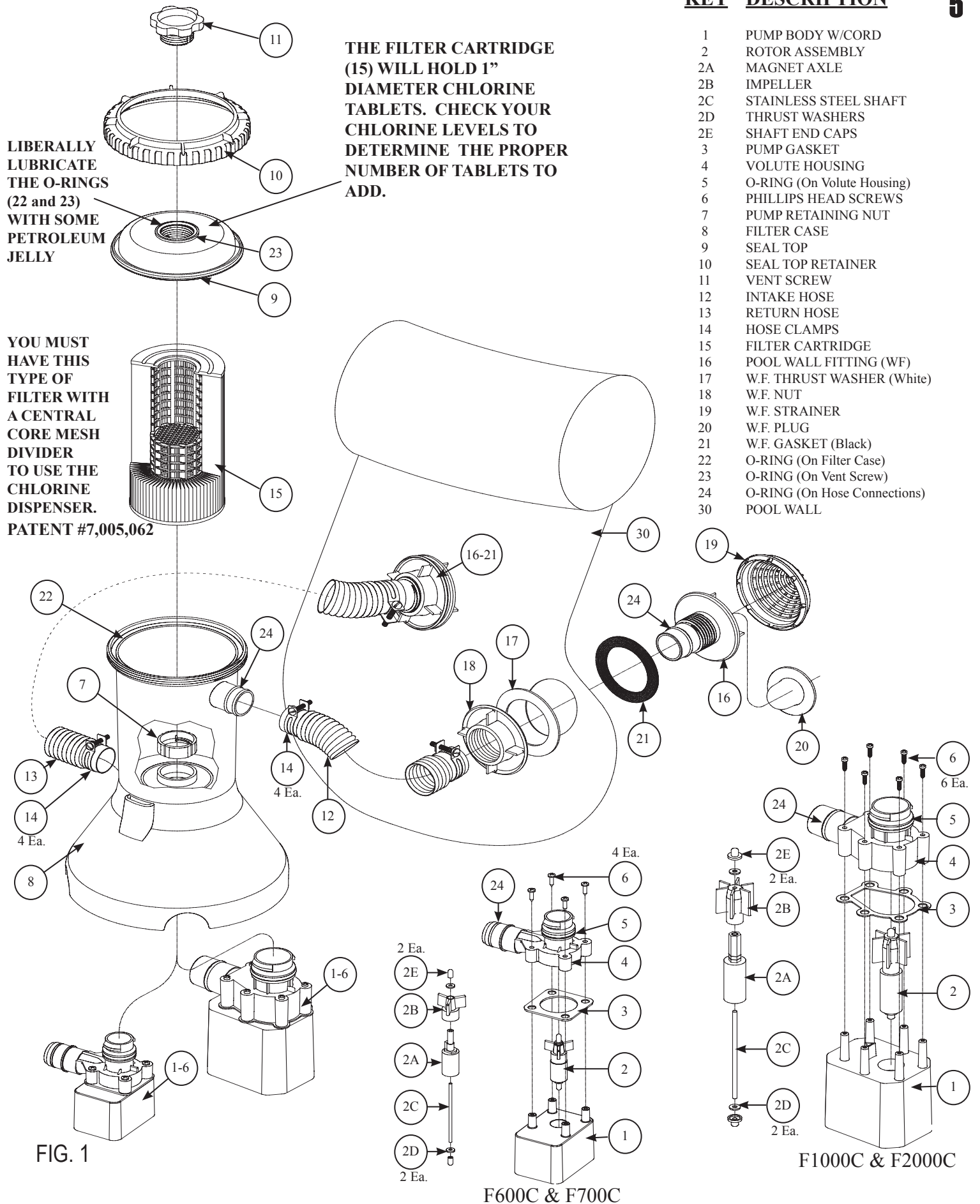
## POWER FILTER

### IMPORTANT NOTES:

1. Installer shall follow written instructions provided for operation of the circulation systems.
2. All electrical components shall be installed in accordance with Article 680 of the National Electrical Code (NEC) “Swimming Pools, Fountains and Similar Installations” or its latest approved edition.
3. The Filter Cartridge (15) 3-3/4" will hold as many as 2 of the 1" diameter chlorine tablets and the 8" will hold as many as 6 of the 1" diameter chlorine tablets. Check your chlorine levels to determine the proper number of chlorine tablets to add. The filter cartridge will automatically dispense chlorine into the pool as the pump runs. **You must have the type of Filter Cartridge (15) with a central core mesh divider (See page 5) to use the chlorine dispenser. DO NOT use this to dispense powdered chlorine, shock treatment or any other type of chemicals as damage to the pump, filter cartridge, and pool will occur.**
4. The RP Type pump/filter systems are manufactured by Dongguan Polyfilm Plastic Products Co. Ltd. and UL Listed (file #E307476) - double insulated and grounded - 115 V.A.C. - 60 Hz. (**ALL** Units must have a minimum of 105 V.A.C. to start and run properly.)

RP600 Filter System with F600C Pump	46 watts	0.8 amps	580 G.P.H.
RP800 Filter System with F700C Pump	57 watts	1.1 amps	780 G.P.H.
RP1000 Filter System with F1000C Pump	80 watts	2.2 amps	1075 G.P.H.
RP2000 Filter System with F2000C Pump	210 watts	2.2 amps	2000 G.P.H.

Should you encounter any problems, contact the Customer Service Representative/Parts Department at (800) 813-0206 between 8:00 a.m. and 5:00 p.m. Mon. thru Fri. Eastern Standard time



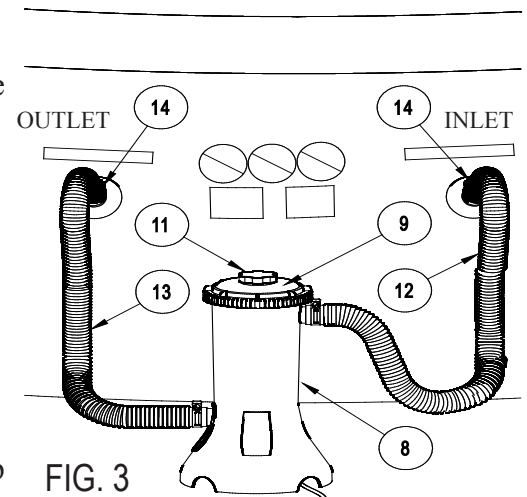
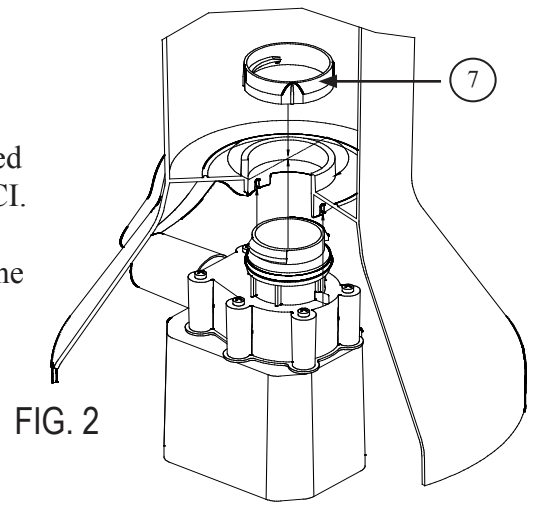
Should you encounter any problems, contact the Customer Service Representative/Parts Department at (800) 813-0206 between 8:00 a.m. and 5:00 p.m. Mon. thru Fri. Eastern Standard time

## 6 1. POWER FILTER INSTALLATION: **WARNING - EXTREMELY IMPORTANT!**

- Risk of electrical shock, connect only to a grounding type receptacle protected by a ground fault circuit interrupter, (GFCI). Contact a qualified electrician if you cannot verify that the receptacle is protected by a GFCI.
- Receptacle must be at least 10 feet away from pool.
- Filter system can be used as many hours as desired, but **NEVER** when the pool is occupied.
- Do not use an extension cord to connect unit to electric supply; provide a properly located outlet.
- Do not bury the cord.

**NOTE** - The Power Filter will be in four sections: a pump; filter assembly; hardware bag; and intake / return hoses.

- A. First, remove the Seal Top Retainer (10), Seal Top (9), and Filter Cartridge (15) from the assembled Filter Case. Lubricate the pump O-ring (5) with petroleum jelly. Hold the Filter Case (8) securely, and insert pump assembly (1) so that the outlet on the Volute Housing (4) extends out of the opening in the side of the base. Insert the pump until it bottoms out, and the two ribs on the volute housing insert into the two slots on the bottom of the filter case. Reach down inside the filter case and place the Pump Retaining Nut (7) over the top of the volute housing inlet. Twist the Nut (7) clockwise until it is snug. See Fig. 2.
- B. Get the Intake and Return Hoses (12, 13), and remove two Hose Clamps (14), from the hardware bag. Loosen the hose clamps and slide them over one end of each hose. Install one hose on the filter case inlet, and one hose on the filter case outlet. Tighten both of the Hose Clamps (14).
- C. Locate both sets of Pool Wall Fitting assembly parts (16-21). Lubricate the black Wall Fitting Gasket (21) and install it over the threads on the Pool Wall Fitting (16). Insert the pool wall fitting with a gasket through one of the holes in the wall from the inside of the pool. Place the white Wall Thrust Washer (17) over the pool wall fitting and then thread the Wall Fitting Nut (18) onto the fitting until it is hand tight. **DO NOT** over tighten the wall fitting nut or wrinkle the pool wall around the Wall Fitting Thrust Washer (17) or Wall Fitting Gasket (21). Plug the Pool Wall Fitting (16) with the Wall Fitting Plug (20) from the inside of the pool. Repeat this step for other set of pool wall fittings, installing them in the other hole in the wall. Set the Wall Fitting Strainers (19) aside for later. Start filling pool.
- D. After the pool is filled, position the Filter Assembly between the two fittings on the side of the pool, about 6 inches out from the base. The intake hose (12), coming from the top of the filter case should be facing the right, and the return hose (13) coming from the pump, on the lower side of the case, should be facing the left; see Fig.3.
- E. Slip both of the remaining Hose Clamps (14) over the ends of the two hoses. Connect the hoses to the intake and outlet wall fittings located on the side of the pool. The intake fitting is on the right, and the return fitting is on the left. Secure both of the hoses in place by tightening the two Hose Clamps (14).
- F. Unscrew the Vent Screw (11) from the Seal Top (9) about 1-1/2 turns. **NOTE: VENTING THE SYSTEM IS NECESSARY FOR AIR TO ESCAPE AS THE FILTER CASE FILLS WITH WATER.**
- G. Remove the two Wall Fitting Plugs (20) from the intake fitting and return fitting on the inside of the pool. This allows the filter system to fill with water. **DO NOT** discard the Wall Fitting Plugs (20) - You will need them when you change the Filter Cartridge or service the pump. When full, water should be coming out of the groove of the vent screw. Hand-tighten the vent screw into the seal top until the O-Ring seals around the screw and no more water is escaping. Now take the two Filter Intake Screens (19) and snap them over both of the Thru-the-Wall Fittings (16).
- H. At this point, the filter system should be water-tight. Check all hoses and fittings, as well as the vent screw, to make sure there is no water leakage. If any leaks are found, see #4 in the Trouble Shooting guide on page #10.



## 2. PUMP OPERATION:

7

**IMPORTANT: FILTER CARTRIDGE MUST BE FIRMLY SEATED OVER THE PUMP INTAKE PORT TO FILTER THE POOL WATER EFFICIENTLY.**

**NOTE: ONLY FILTER CARTRIDGES WITH A 1-3/4" INCH DIAMETER HOLE WILL WORK PROPERLY. ANY OTHER SIZE HOLE WILL PREVENT PROPER FILTRATION. THE CARTRIDGE MUST SEAL TIGHTLY AROUND BOTH ENDS.**

- A. Plug filter into a properly grounded receptacle, located at least 10 feet away, protected with a ground fault circuit interrupter (GFCI).
- B. Check the return fitting on the inside of the pool for correct flow, it should feel like a solid stream of water returning to the pool. You can use the return flow as a gauge to determine when the filter needs cleaning and/or replacement. If you feel a reduction in flow, clean and/or replace filter.
- C. Test water and adjust as needed, see "POOL WATER CARE", page #9. **VERY IMPORTANT – PUMP AND FILTER ALONE WILL NOT PREVENT ALGAE FROM GROWING IN POOL WATER; THIS CAN ONLY BE DONE BY MAINTAINING PROPER CHLORINE AND pH LEVELS AT ALL TIMES!**
- D. The filter may need to be cleaned and/or replaced several times at start up until the correct chlorine and pH levels are attained. We recommend that you keep at least one spare cartridge on hand at all times. Filter cartridges may be purchased at the store you purchased your pool from, or ordered from GFP, see page #12, Item #15.

## 3. FILTER CARTRIDGE CLEANING INSTRUCTIONS:

- A. You will need to clean the Filter Cartridge. First, unplug (turn off) the Power Filter, remove both of the Wall Fitting Strainers (19) and plug both the intake and return wall fittings with Wall Fitting Plugs (20). Press the plugs squarely into the opening, to assure a leak-proof fit. To vent the filter, slowly unscrew the Vent Screw (11). Press down with both hands and twist the Seal Top Retainer (10) counter-clockwise to remove and then pull out the Seal Top (9) and Filter Cartridge (15). After you are finished cleaning the filter cartridge, liberally lubricate the O-Ring (22) with petroleum jelly and re-assemble in reverse order.
- B. The filter cartridge can be cleansed of coarse dirt and debris by pressure washing inside and out with a garden hose, making sure to wash between all pleats. Fine particles of dirt are more easily removed from the filter pleats when the cartridge is dry. Therefore, after hosing the cartridge, allow the filter to dry and CAREFULLY BRUSH, but do not scrub the pleated surface areas. Cleaning and scrubbing a filter too vigorously will also wear out the cartridge much faster than if it is simply hosed off correctly.
- C. Suntan oils, body oils, and algae can form a coating on the filter pleats which may not be thoroughly removed by hosing. Such films of oils and/or algae will rapidly clog up the filters' pores, greatly reducing filtration. Therefore, it is imperative to remove such materials from the filter element as soon as possible. To remove oils, we recommend soaking the cartridge in a solution of **1 pound of trisodium phosphate** (or any other strong detergent) **to 5 gallons of water** for up to **12 hours**. Trisodium phosphate is available in many supermarkets, hardware stores, or janitorial supply stores. After the oils have been removed, rinse the filter cartridge to remove any dirt. If algae is a problem, add **1/2 pint of pool chlorine** or **1 pint of liquid household bleach** to the cleaning solution, **1 hour** before removing the filter cartridge from the solution. Thoroughly rinse the filter cartridge before replacing it in the filter case. Check the pool chemistry to determine the cause of algae growth.
- D. Excessive calcium and/or mineral deposits may build up on a filter cartridge and should be handled differently. Contact your local pool supply store to ask about additional filter cartridge cleaners or treatment for calcium or mineral deposits. Check pool chemistry for high pH or alkalinity; this may cause a calcium or mineral build-up. Now is a good time to remove the Vent Screw (11) and put chlorine tablets into the Filter (15) if necessary..
- E. A spare "stand-by" Filter Cartridge is an excellent investment. It provides a convenient way to continue filtration of your pool while cleaning or replacing a dirty Filter Cartridge. Also, a well-maintained, clean cartridge assures you that your filter will always be ready to operate at peak efficiency.

7

**ABOVEGROUND / ONGROUND RESIDENTIAL SWIMMING POOLS ARE FOR SWIMMING AND WADING ONLY. NO DIVING BOARDS, SLIDES OR OTHER EQUIPMENT ARE TO BE ADDED TO AN ABOVEGROUND / ONGROUND POOL THAT IN ANY WAY INDICATES THAT AN ABOVEGROUND / ONGROUND POOL MAY BE USED OR INTENDED FOR DIVING OR SLIDING PURPOSES.**

**NOTES:**

## POOL MAINTENANCE:

1. Check and adjust pH and chlorine levels daily using required chemicals. See "POOL WATER CARE", below.
2. Check filter output daily. If flow is reduced, see Symptom 2 in "TROUBLE SHOOTING GUIDE", page #10.
3. Check filter for leaks. If a leak is found, see Symptom 4 in "TROUBLE SHOOTING GUIDE", page #10.
4. Check seams in pool periodically. Minor repairs may be made with the patch kit (supplied with pool). Additional patches are available from General Foam Plastics or your local pool supply store.

## POOL WATER CARE

1. The following items are required and readily available from your local pool supply store:
  - A. TEST KIT - Used to check chlorine and pH levels.
  - B. 1" CHLORINE TABLETS - Used to disinfect pool water and help control the growth of algae.
  - C. pH CONTROL CHEMICALS - Used to adjust pH levels Up (Soda Ash) or Down (Acid).
  - D. ALGAECIDES - Used to eliminate algae.
  - E. SUPERCHLORINATOR - Used to destroy combined chlorine, ammonia, nitrogen, and organic compounds.
  - F. LEAF NET with handle - Used to remove leaves, trash, insects, etc. from pool.
  - G. CHLORINE DISPENSER (Supplied with Filter) - Used to dispense 1" chlorine tablets ONLY.
2. Use test kit daily to check pH and chlorine levels. Adjust accordingly using the required chemicals.
 

**NOTE:** Excessive levels of chlorine or low pH levels will damage pool liner.
3. The pool can be cleaned using a garden hose powered vacuum from General Foam Plastics or a pool supply store.
4. Using a foot bath near the pool to wash off your feet prior to entering the pool will assist in keeping the pool clean.
5. Well water often presents special problems with water chemistry. If you must use well water, take a sample to your local pool chemical supplier for analysis before adding ANY chemicals.
6. Use the chart on Page 4 to calculate the amount of chemicals you will need to correct the pool water based on the gallons of water in your pool. Note: It is recommended to use a 5 gallon bucket of water to mix and dissolve your chemicals and then applying directly to the pool water. Follow manufacturers label directions on all chemicals.

For your convenience, fill in your pool's information in the below chart:

POOL TYPE	FILTER/PUMP TYPE	POOL CAPACITY/GALLONS

\*Most pool supply stores will test your pool water for free and advise you of what chemicals you need, and the correct amount to use for your pool. You will need to tell them the pool capacity in gallons.

7. **IMPORTANT** - We cannot over-stress the importance of proper and adequate daily chemical treatment. Chlorine and pH levels must be maintained at all times. **PUMP AND FILTER ALONE WILL NOT PREVENT ALGAE FROM GROWING IN POOL WATER; THIS CAN ONLY BE DONE BY MAINTAINING PROPER CHLORINE AND pH LEVELS AT ALL TIMES.**
  - A. Maintain pH level between 7.3 and 7.8.
  - B. Maintain chlorine level between 1.0 and 1.6 ppm (parts per million).
  - C. Superchlorinate your pool at least every other week.

### NOTE:

1. Hot weather/heavy use may require pH and chlorine levels to be maintained on the upper side of the scale and superchlorination of the pool every week.
2. Using a pool cover and/or solar cover will assist in maintaining your pH and chlorine levels by reducing the amount of evaporation from your pool.

**CAUTION** - Concentrated chlorine levels and low pH levels will damage pool.

**DANGER** - You must follow the instructions for the pool chemicals you use, as to quantity and recommended usage.

**NEVER** drop lumps or pellets of chemicals in pool; this may present a hazard to swimmers and/or damage your liner.

**TROUBLE SHOOTING GUIDE**

DISCONNECT ELECTRICAL CORD BEFORE TROUBLESHOOTING FILTER

SYMPTOM	PROBLEM	POSSIBLE SOLUTION
1 Motor fails to start or kicks on and off.	A Unit Not Plugged In	A Unit must be plugged into a 3-wire grounded outlet with a GFCI type circuit breaker.
	B GFCI Breaker Tripped	B Reset circuit breaker. If problem persists, have an electrician check circuit.
	C Low Voltage	C Check line voltage - must be 105 to 125 AC volts.
	D Rotor Jammed	D See the "Rotor Service" diagram in the assembly view of the Filter/Pump unit, page #5.
2 No flow or low flow through return hose	A Low Water Level	A Water depth must be no more than 2" from the bottom of inflatable ring or it must cover the intake by at least 4".
	B Inlet / Discharge Clogged	B Check for obstructions at intake fitting and in return hose.
	C Filter Dirty	C Clean (see page #7) or replace cartridge. Spare cartridges make service more convenient.
	D Rotor Jammed	D See the "Rotor Service" diagram in the assembly view of the Filter/Pump unit, page #5.
3 Filter is not cleaning pool (water cloudy, green, etc.)	A Chlorine Level	A Maintain chlorine level between 1.0 and 1.6 ppm
	B Filter Dirty	B Clean (see page #7) or replace cartridge. Spare cartridges make service more convenient.
	C pH Level	C Maintain pH Level between 7.3 and 7.8.
	D Cartridge Damaged	D Check cartridge for damage and/or holes. Replace if damaged.
	E Low Water Flow	E Check for obstructions at intake fitting and in return hose fitting.
	F Other Chemicals Required	F Have water tested at pool supply store. It may be necessary to add other chemicals due to varying water quality in different localities.
	G Pool Water Very Dirty	G Run pump more often, but never when pool is in use. Clean filter more often.
4 Water Leakage	A Intake Hose / Return Hose (4) connection points	A Adjust hose clamp (14) on cuff. Check O-ring (24) and retighten. Check hose for any holes or cracks. Replace if needed. See page #5.
	B Vent Screw in Seal Top	B Check O-ring (23) for damage. Replace if needed. Lubricate with petroleum jelly.
	C Seal Top Retainer/Seal Top	C Check O-ring (22) for damage. Replace if needed. Lubricate with petroleum jelly.
	D Pump to Volute Housing	D Tighten screws (6). Check Pump Gasket (3) for damage. Replace if needed. See page #5.
	E Volute Housing to Filter	E Check Volute Housing O-Ring (5) for damage. Replace if needed. See page #5.
<b>PROBLEMS: Call GFP Corp. Parts Dept. at 1-800-813-0206 between 8 a.m. and 5 p.m. Mon. thru Fri. Eastern Standard Time.</b>		

## DISASSEMBLY AND STORAGE

1. **GENERAL INFORMATION:** Pool must be stored if temperatures are expected to fall below 40°F.
  - A. All parts should be cleaned with a mild soap and lukewarm water only - DO NOT use detergent or hot water.
  - B. Make sure all parts are dry before storing to help prevent mildew from forming.
  - C. Store all parts in a dry heated area where temperatures do not go below 40° F or above 125° F.
  - D. Failure to follow the proper storage instructions could cause damage to pool parts and void warranty.
  - E. YOU MUST FOLLOW THE ASSEMBLY INSTRUCTIONS TO REASSEMBLE YOUR POOL NEXT SEASON. Pool site must be cleared and leveled.
2. **POWER FILTER:**
  - A. First, unplug the Power Filter. Now remove both of the Wall Fitting Strainers (19), and then plug both of the Pool Wall Fittings (16) with the two Wall Fitting Plugs (20).
  - B. Slowly unscrew the Vent Screw (11) from the Seal Top (9) allowing the filter system to depressurize.
  - C. Remove the Seal Top Retainer (10) by turning counter-clockwise to unscrew. Remove the Seal Top (9). Remove the Filter Cartridge (15) and remove any chlorine tablets left inside the core section of the filter.
  - D. Loosen all four Hose Clamps (14), remove the Intake and Return Hoses (12, 13) and allow water to drain out.
  - E. Clean and dry all filter pump parts including filter cartridges.
  - F. Liberally lubricate the O-rings (22), at the Seal Top (9) and (23) on the Vent Screw (11), with petroleum jelly, and then reassemble it along with the Seal Top (9), Seal Top Retainer (10), Vent Screw (11) onto the Filter Case (8). Store all filter parts carefully.

### 3. QUICK SET® POOL:

- A. To drain the pool, locate the drain plug on the outside of the pool wall and remove the drain cap. A standard garden hose will thread onto the drain fitting. Extend the hose to the area where the water is to be drained. When you have placed the garden hose where desired, the drain plug on the inside of the pool can be removed.
- B. Once you have drained as much water as possible out of the pool, using the hose connected to the drain fitting, open the air valve and deflate the top ring. Then, carefully push the sides of the pool wall down to allow remaining water to run out.
- C. Remove both sets of Pool Wall Fitting components (16-21) from the side wall of the pool. Clean and dry all of the parts and re-assemble them to keep all the parts together. DO NOT re-install the parts through the holes in the pool wall.
- D. Remove any remaining water as you wash and completely dry pool using a soft cotton cloth. Push the drain plug into the fitting and replace the cap.
- E. Frame Pools: If your pool has metal frame work, disassemble those pieces by depressing the plastic buttons sliding those pieces apart or by removing the plastic pins holding them together again sliding those pieces apart, clean them and wipe them dry. If in doubt of proper disassembly refer to the pools set-up sheet and reverse those steps. Place them all together in a safe storage place for reassembly next season. Order replacement parts for any damaged, broken, or worn parts
- F. Solar blankets, protective pool covers, ladders, etc., should be cleaned and dried before storing.

REPLACEMENT PARTS					
KEY	DESCRIPTION	ID NUMBER	QTY	LBS	COST
	<b><u>QUICK-SET POOL</u></b>				
30	QUICK-SET POOL	CALL PARTS DEPT. FOR REPLACEMENT			
	<b><u>GFP ACCESSORIES</u></b>				
*	COMPLETE LADDER (36" POOL)	097-020001	1	10	35.00
*	COMPLETE LADDER (42" POOL)	097-020002	1	14	45.00
*	COMPLETE LADDER (48" POOL)	097-020003	1	16	50.00
*	COMPLETE LADDER (52" POOL)	097-030048	1	17	55.00
*	DUAL MAINTENANCE KIT (LEAF NET & VACUUM)	096-050024	1	3	15.00
80.12	12 FT LEAF COVER (NOT A SAFETY COVER)	069-050032	1	4	25.00
80.15	15 FT LEAF COVER (NOT A SAFETY COVER)	069-050034	1	6	35.00
80.18	18 FT LEAF COVER (NOT A SAFETY COVER)	069-050047	1	6	40.00
81.12	12 FT SOLAR COVER (NOT A SAFETY COVER)	069-050011	1	6	30.00
81.15	15 FT SOLAR COVER (NOT A SAFETY COVER)	069-050031	1	8	45.00
81.18	18 FT SOLAR COVER (NOT A SAFETY COVER)	069-050048	1	8	50.00
85	GARDEN HOSE POWERED VACUUM	071-050364	1	2	12.00
86	FILTER STOCKING FOR ITEM 85	066-050009	1	1/4	.25

## FILTER SYSTEM PARTS LIST

KEY	DESCRIPTION	MODEL RP600		MODEL RP800		MODEL RP1000		MODEL RP2000		QTY	LBS
		ID NUMBER	COST	ID NUMBER	COST	ID NUMBER	COST	ID NUMBER	COST		
1	PUMP BODY WITH CORD	096-050136	20.00	096-050406	30.00	096-050504	35.00	096-050564	45.00	1	4
2	ROTOR ASSEMBLY	096-050137	8.00	096-110003	10.00	096-050505	15.00	096-050565	25.00	1	1/2
3	PUMP GASKET	078-110186	1.00	078-110031	1.50	078-110078	2.50	078-110078	2.50	1	1/4
4	VOLUTE HOUSING	078-110187	1.50	078-110189	3.00	078-110097	5.00	078-110147	7.00	1	1/4
5	O-RING (On Volute Housing)	090-130012	1.25	090-130012	1.25	090-130012	1.25	090-130025	1.50	1	1/4
6	PHILLIPS HEAD SCREW ( 6 EA)	090-010063	.75	090-010063	.75	090-010063	.75	090-010063	.75	1	1/4
*	ASSEMBLED PUMP #1 THRU #6	096-050138	30.00	096-050086	45.00	096-050091	50.00	096-050118	75.00	1	5
7	PUMP RETAINING NUT	078-110110	1.50	078-110110	1.50	078-110110	1.50	078-110143	1.50	1	1/4
8	FILTER CASE	078-110188	15.00	078-110100	15.00	078-110114	15.00	078-110139	25.00	1	2
9	SEAL TOP	078-110101	6.00	078-110101	6.00	078-110101	6.00	078-110140	8.00	1	1
10	SEAL TOP RETAINER	078-110102	4.00	078-110102	4.00	078-110102	4.00	078-110102	4.00	1	1
11	VENT SCREW	078-110103	2.00	078-110103	2.00	078-110103	2.00	078-110103	2.00	1	1/4
12	INTAKE HOSE 3 FT.	063-060032	3.50	063-060010	3.50	063-060010	3.50	063-060010	3.50	1	1
13	RETURN HOSE 3 FT.	063-060032	3.50	063-060010	3.50	063-060010	3.50	063-060010	3.50	1	1
14	HOSE CLAMP	090-160009	.25	090-160005	.25	090-160005	.25	090-160005	.25	4	1/2
15	3-3/4" FILTER CARTRIDGE 2 SQ. FT.	090-050140	2.50	N/A	---	N/A	---	N/A	---	1	1
*	8" FILTER CARTRIDGE 7 SQ. FT.	N/A	---	090-130011	5.00	090-130011	5.00	090-130011	5.00	1	1
16	POOL WALL FITTING	078-110198	3.00	078-110122	3.00	078-110122	3.00	078-110122	3.00	2	1/2
17	WALL FITTING THRUST WASHER	078-110199	1.25	078-110124	1.25	078-110124	1.25	078-110124	1.25	2	1/4
18	WALL FITTING NUT	078-110200	1.75	078-110125	1.75	078-110125	1.75	078-110125	1.75	2	1/4
19	WALL FITTING STRAINER	N/A	---	078-110067	2.50	078-110067	2.50	078-110067	2.50	2	1/4
20	WALL FITTING PLUG	078-110126	2.00	078-110126	2.00	078-110126	2.00	078-110126	2.00	2	1/2
21	WALL FITTING GASKET	078-110202	1.50	078-110123	1.50	078-110123	1.50	078-110123	1.50	2	1/4
22	O-RING (On Filter Case)	090-130022	2.00	090-130022	2.00	090-130022	2.00	090-130022	2.00	1	1/4
23	O-RING (On Vent Screw)	090-130021	1.50	090-130021	1.50	090-130021	1.50	090-130021	1.50	1	1/4
24	O-RING (On Hose Connections)	090-130029	1.50	090-130030	1.50	090-130030	1.50	090-130030	1.50	4	1/4
25	INSTRUCTION MANUAL	084-120815	2.00	084-120815	2.00	084-120815	2.00	084-120815	2.00	1	1/2
26	PATCH KIT	090-250002	2.00	090-250002	2.00	090-250002	2.00	090-250002	2.00	1	1/4
*	ASSEMBLED FILTER #1 THRU #25	096-050139	60.00	096-050547	80.00	096-050548	90.00	096-050116	125.00	1	8



# POOL SAFETY

1. DO NOT permit children in or around the pool unless they are closely supervised.
2. DO NOT allow horseplay, diving, or jumping into or around the pool.
3. DO NOT allow anyone to swim alone without supervision.
4. DO NOT run the pool filter when the swimming pool is occupied.
5. DO NOT allow people to use the filter and/or pool wall as access to the pool.
6. DO NOT lay over or push down on inflated ring, or push off of the pool wall.
7. DO NOT have electrical appliances or devices within 4 ft. of the pool unless they are specifically UL approved for pool use.
8. ALWAYS have a well-lighted area for use at night so all swimmers can see the bottom of pool, safety signs, walkways, etc.
9. ALWAYS have safety equipment in close proximity of the pool. A light, strong, blunt end rescue pole and/or an approved ring buoy with the proper length rope is recommended.
10. ALWAYS conspicuously post emergency numbers, caution signs, and pool rules.
11. **WARNING** – Failure to follow good pool safety practices can result in serious injury, paralysis or death.

**WARNING:**  
**DO NOT** overfill the pool and / or allow people to lay over or push down on the inflated ring - **DOING SO WILL CAUSE THE POOL WALL TO COLLAPSE!** **DRAIN** pool to the proper level after a heavy rain.

NOTE: IT IS THE POOL OWNER'S RESPONSIBILITY TO OBEY ALL STATE AND LOCAL LAWS CONCERNING ABOVE GROUND SWIMMING POOLS, DECKS, FENCES/BARRIERS, LIGHTING, SAFETY REGULATIONS, ETC.




---



---



---

Affix  
Postage  
Here

General Foam Plastics Corporation  
 3321 East Princess Anne Road  
 Norfolk, VA 23502